



US00D608454S

(12) **United States Design Patent**
Mai et al.

(10) **Patent No.:** **US D608,454 S**

(45) **Date of Patent:** **** Jan. 19, 2010**

(54) **PEDICURE TUB SIDE WALL**

2004/0060108 A1* 4/2004 Hoon Park 4/622

(76) Inventors: **Thuy Xuan Mai**, 6201 Westline Dr.,
Houston, TX (US) 77036; **Trinh Dang**
Tran, 6201 Westline Dr., Houston, TX
(US) 77036

OTHER PUBLICATIONS

T 4 Concepts & Designs, LLC, Product Catalog, 2007, pp. 16-17, T
4 Concepts & Designs, LLC, Baton Rouge, LA, USA.

* cited by examiner

(**) Term: **14 Years**

Primary Examiner—Cathron C Brooks

Assistant Examiner—Melanie Levy

(21) Appl. No.: **29/331,919**

(74) *Attorney, Agent, or Firm*—John K. Buche; Scott D.
Compton; Buche + Associates, P.C.

(22) Filed: **Feb. 4, 2009**

(57) **CLAIM**

(51) **LOC (9) Cl.** **24-04**

(52) **U.S. Cl.** **D24/213**; D24/204

(58) **Field of Classification Search** D24/200–205,
D24/211–213; D6/336, 495; D28/56, 61;
607/144; 4/622, 574.1; 601/6, 15, 64, 157,
601/158, 30–32

The ornamental design for a pedicure tub side wall, as shown
and described.

See application file for complete search history.

DESCRIPTION

FIG. 1 is a perspective view of a pedicure tub side wall,
namely the left side wall, showing our new design;

FIG. 2 is a front elevational view of the same;

FIG. 3 is a rear elevational view of the same;

FIG. 4 is a side elevational view of the same;

FIG. 5 is a top view of the same;

FIG. 6 is a bottom view of the same; and,

FIG. 7 is a back perspective view of the same.

For the purposes of this application, (1) the left and right sides
of the pedicure tub side wall are mirror images of one another;
and (2) the dashed lines of the pedicure tub form no part of the
claimed design.

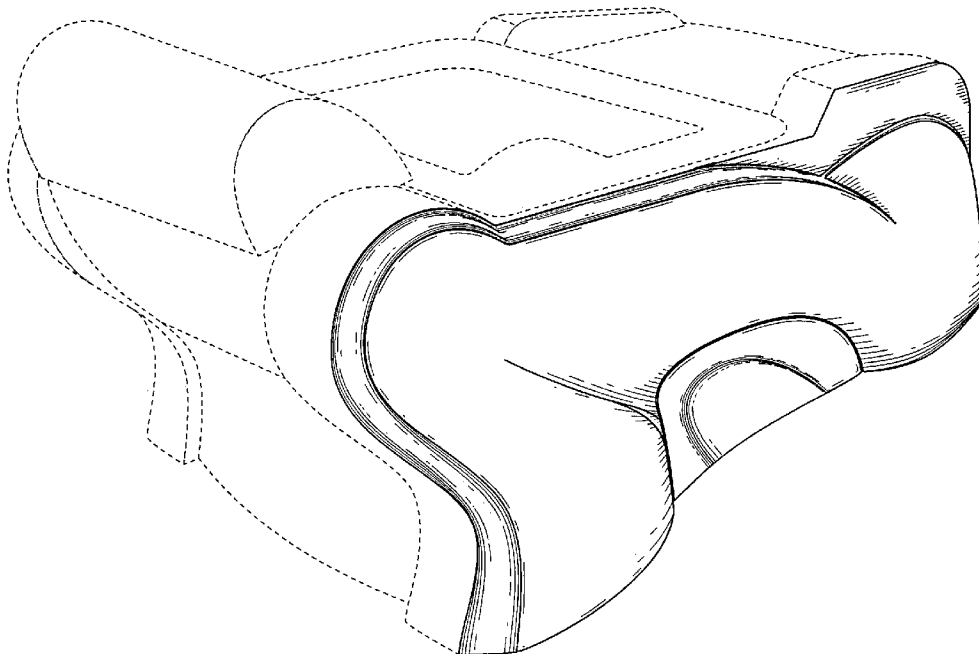
(56)

References Cited

U.S. PATENT DOCUMENTS

D457,018 S	5/2002	Park	
6,503,212 B2 *	1/2003	Park	601/158
D561,903 S	2/2008	Ton	
D564,099 S *	3/2008	Ton	D24/204
D568,485 S *	5/2008	Ton	D24/204
D569,986 S *	5/2008	Ton	D24/204
D571,018 S	6/2008	Ton	
D571,961 S	6/2008	Nguyen	
D574,502 S	8/2008	Ton	
D588,707 S *	3/2009	Mai et al.	D24/213

1 Claim, 6 Drawing Sheets



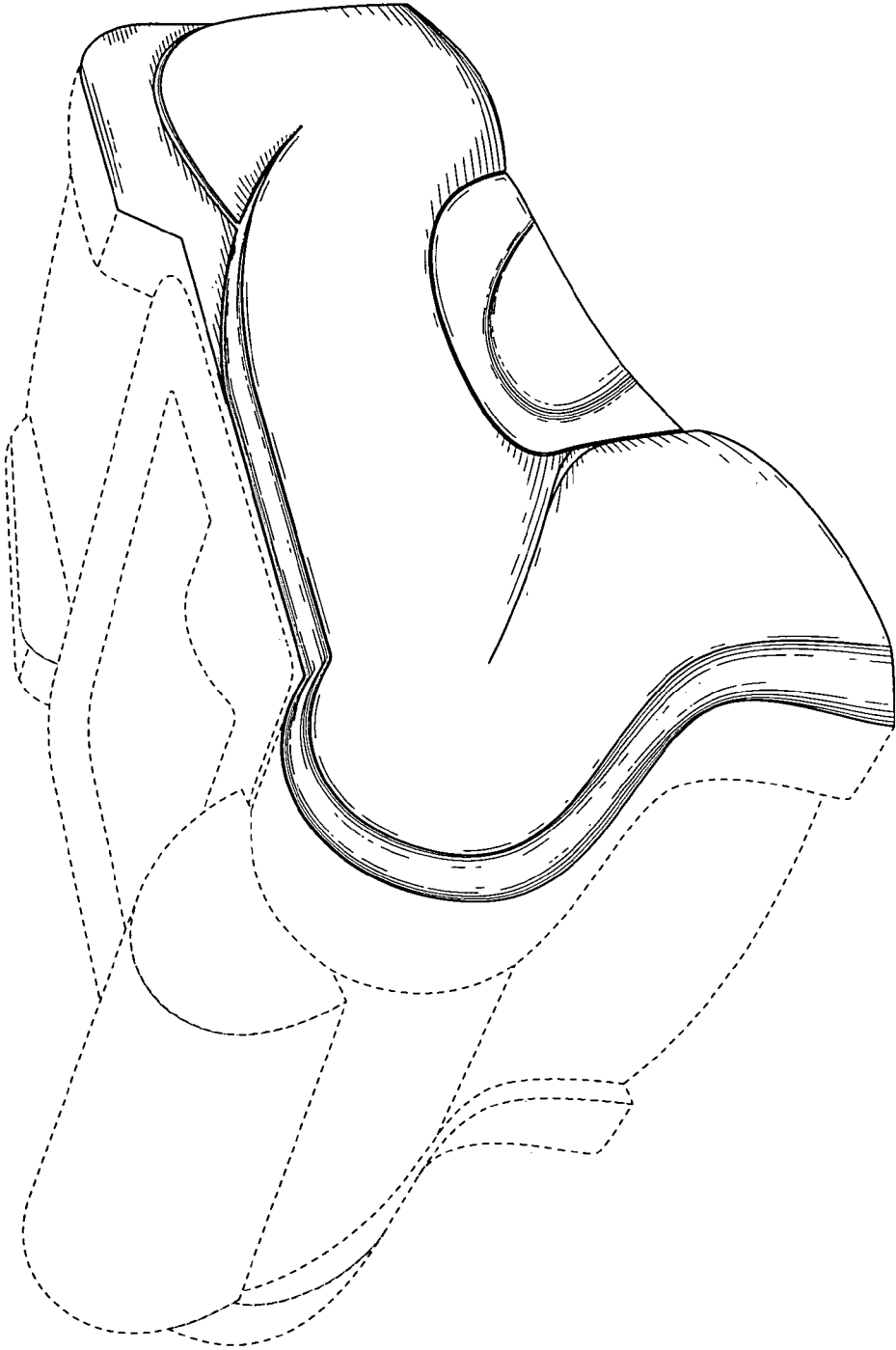


FIG. 1

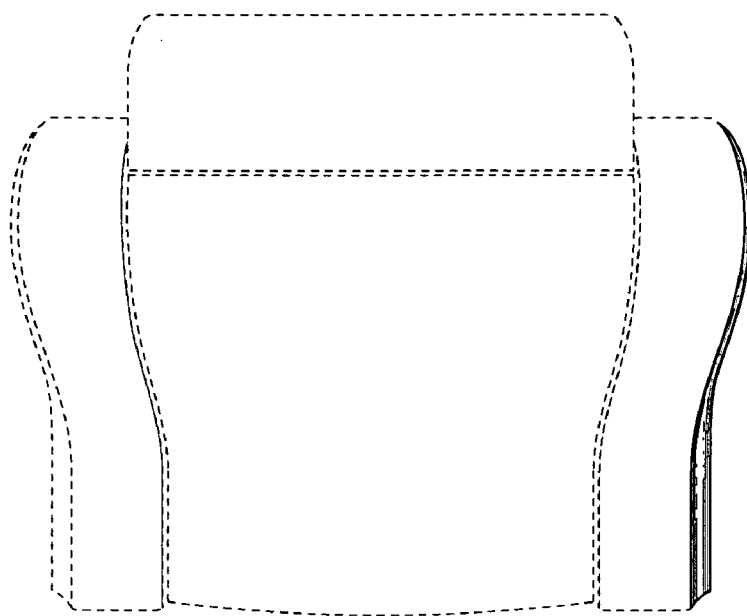


FIG. 2

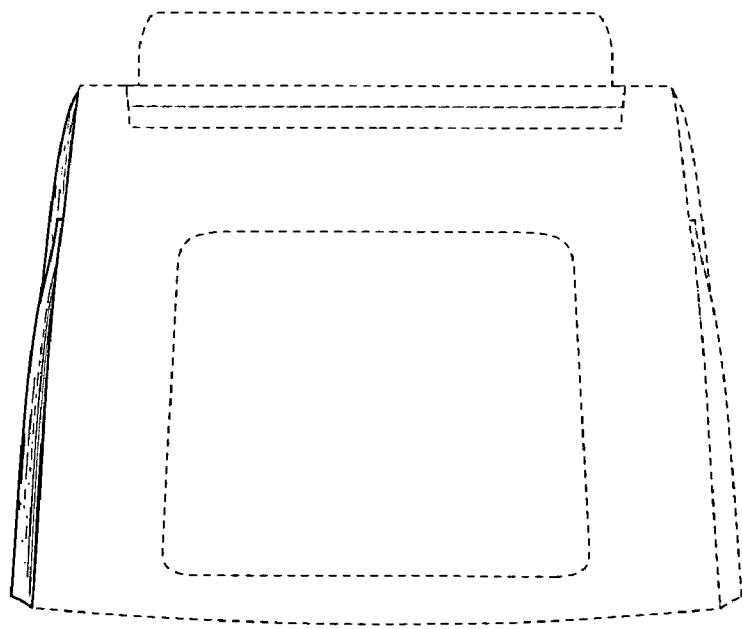


FIG. 3

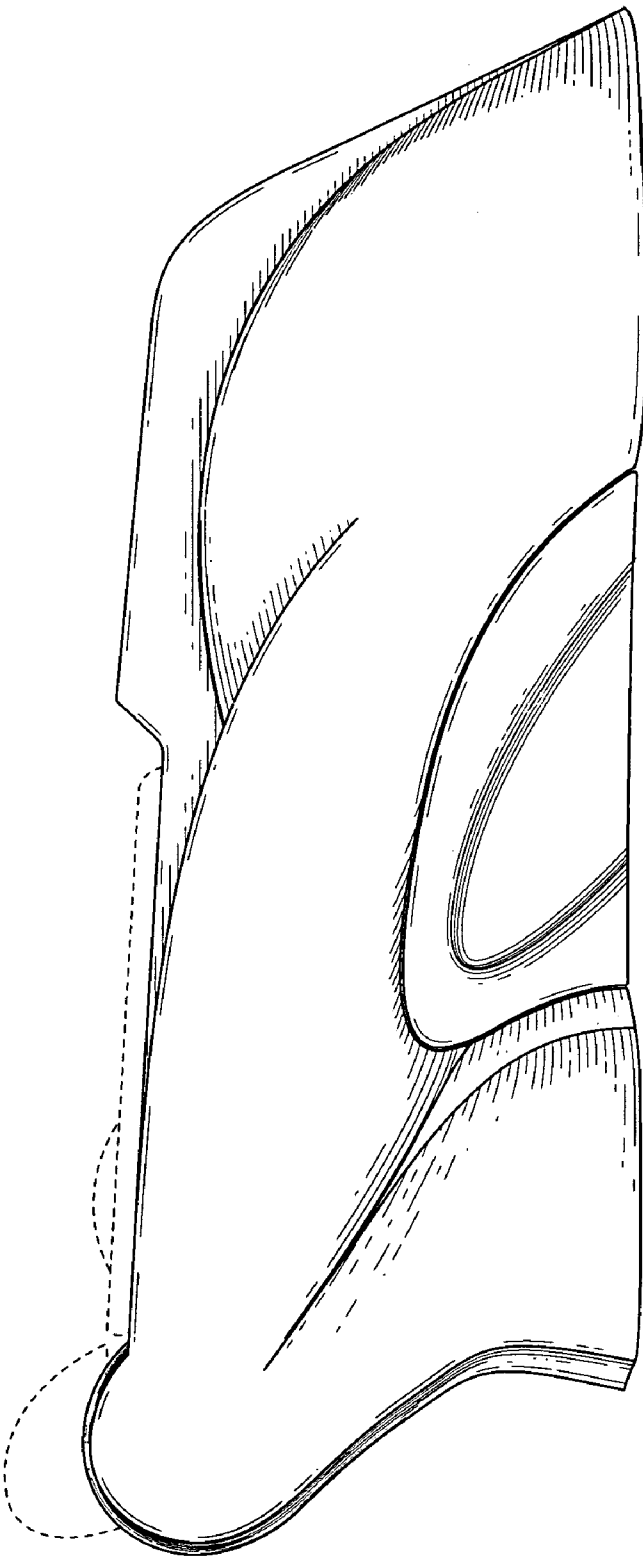


FIG. 4

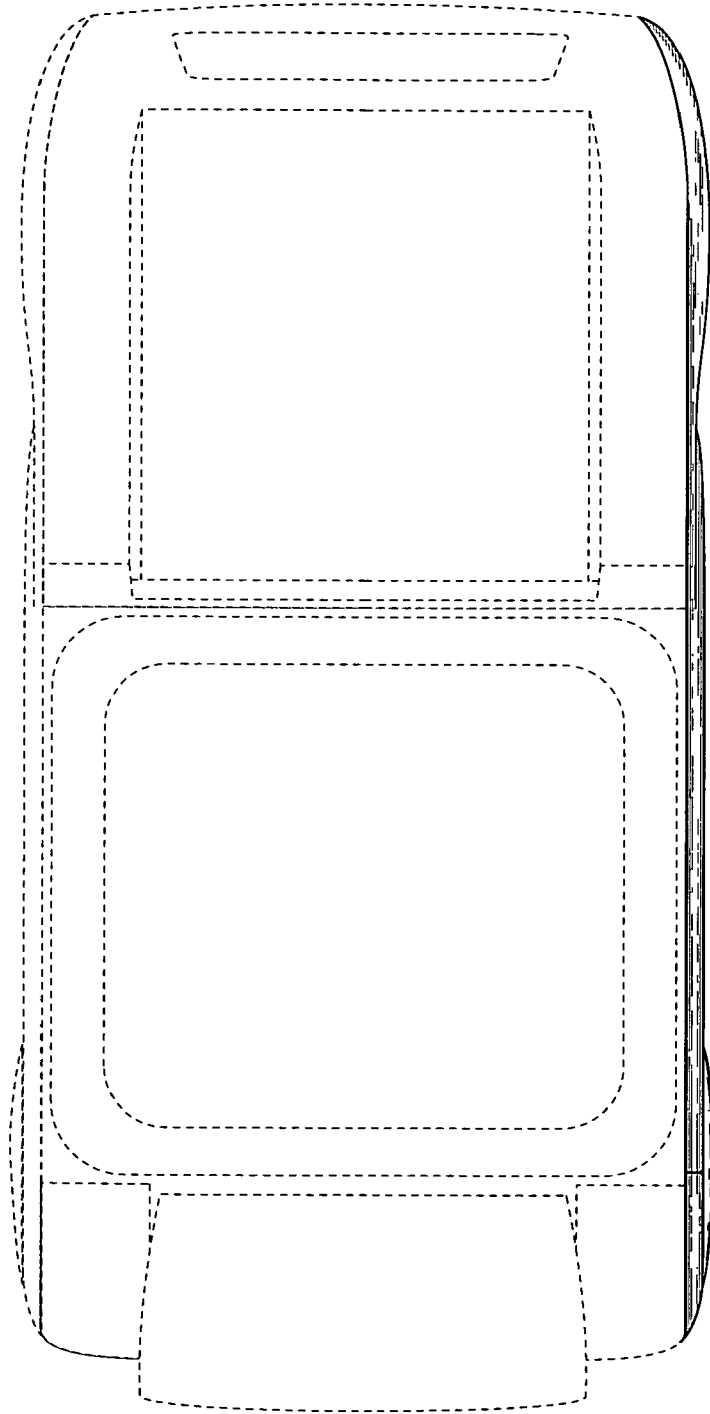


FIG. 5

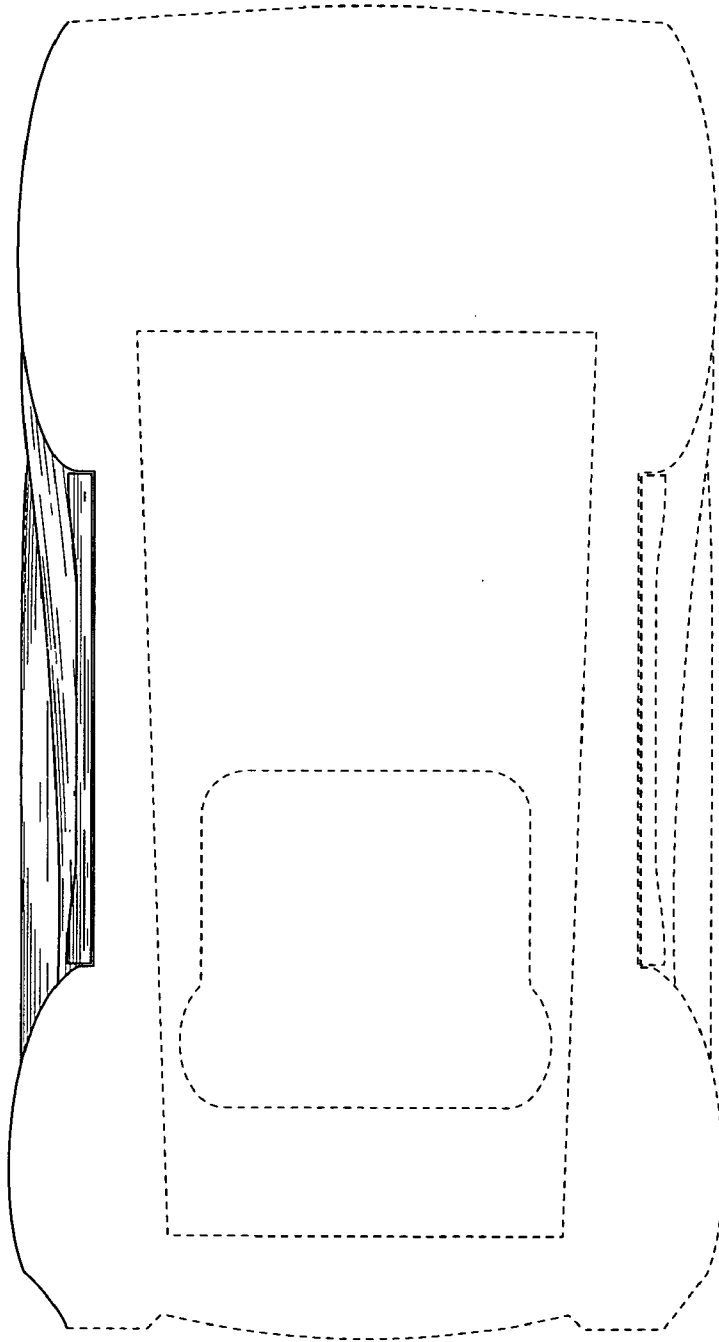


FIG. 6

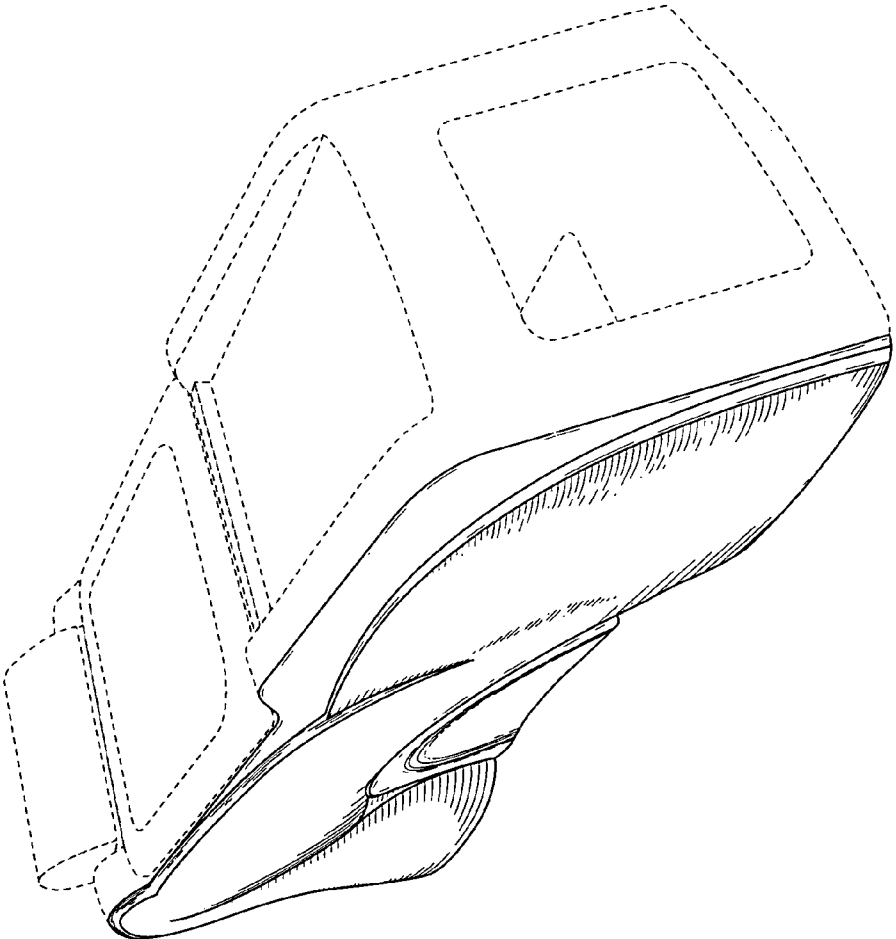


FIG. 7