



US 20070295773A1

(19) **United States**

(12) **Patent Application Publication**
Wegenhoft

(10) **Pub. No.: US 2007/0295773 A1**

(43) **Pub. Date: Dec. 27, 2007**

(54) **MULTI-PURPOSE REVERSIBLE TOTE BAG AND BLANKET**

Related U.S. Application Data

(60) Provisional application No. 60/815,008, filed on Jun. 21, 2006.

(76) Inventor: **Clare Wegenhoft**, Houston, TX
(US)

Publication Classification

Correspondence Address:
JOHN K. BUCHE
7777 FAY AVENUE, SUITE 205
LA JOLLA, CA 92037

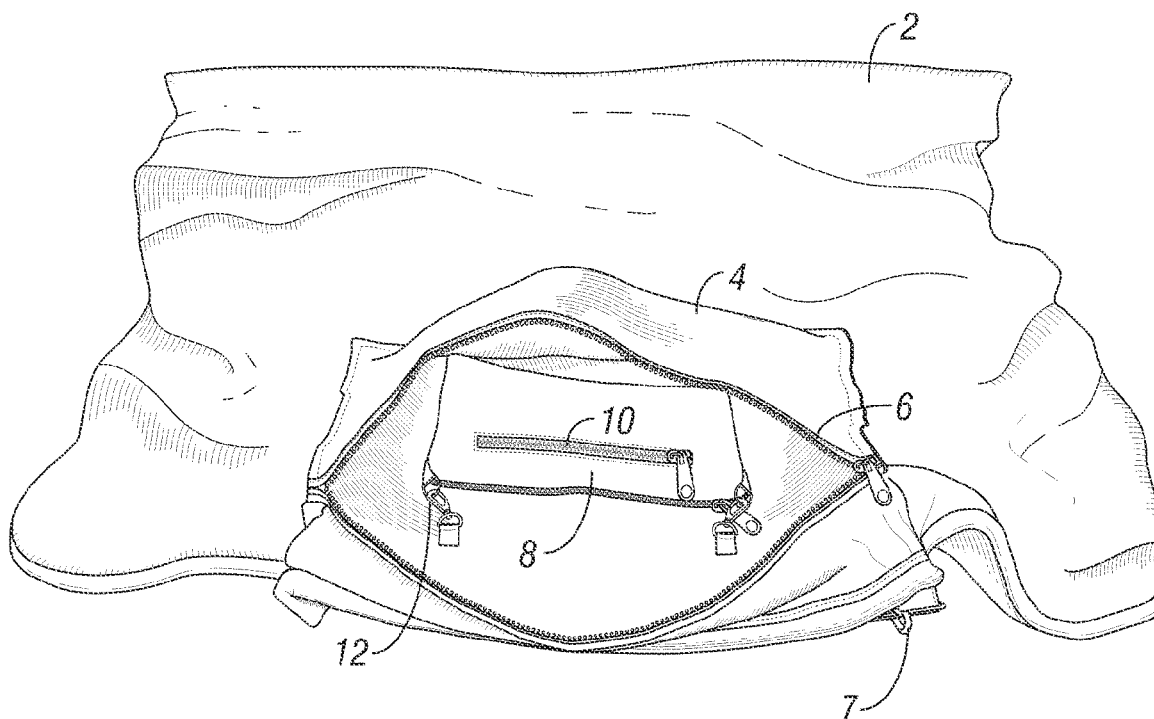
(51) **Int. Cl.**
A45C 15/00 (2006.01)
A47G 9/06 (2006.01)
(52) **U.S. Cl.** **224/576; 5/417**

(21) Appl. No.: **11/764,698**

(57) **ABSTRACT**

(22) Filed: **Jun. 18, 2007**

A multi-purpose reversible tote bag and blanket apparatus optionally featuring a beverage cooler improvement.



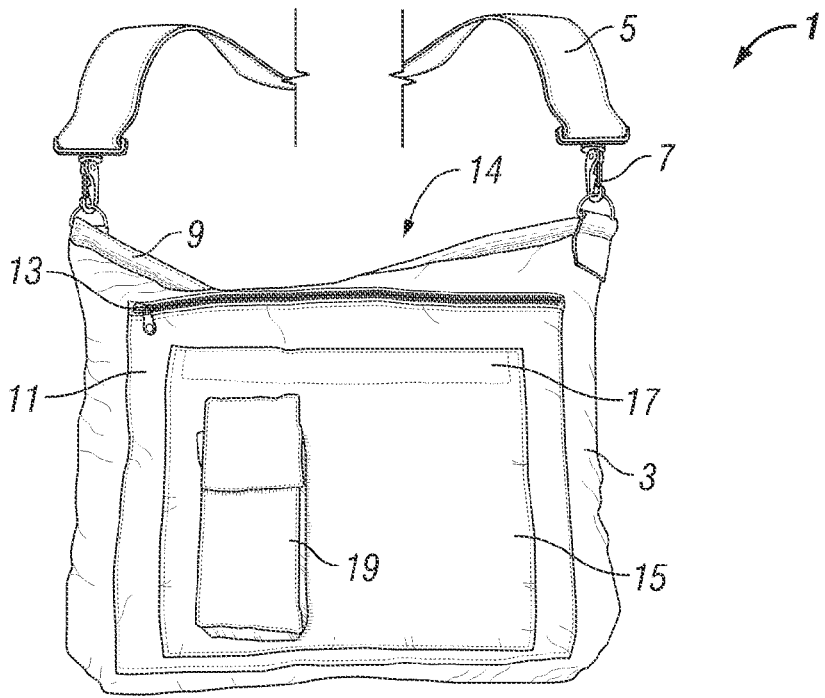


FIG. 1

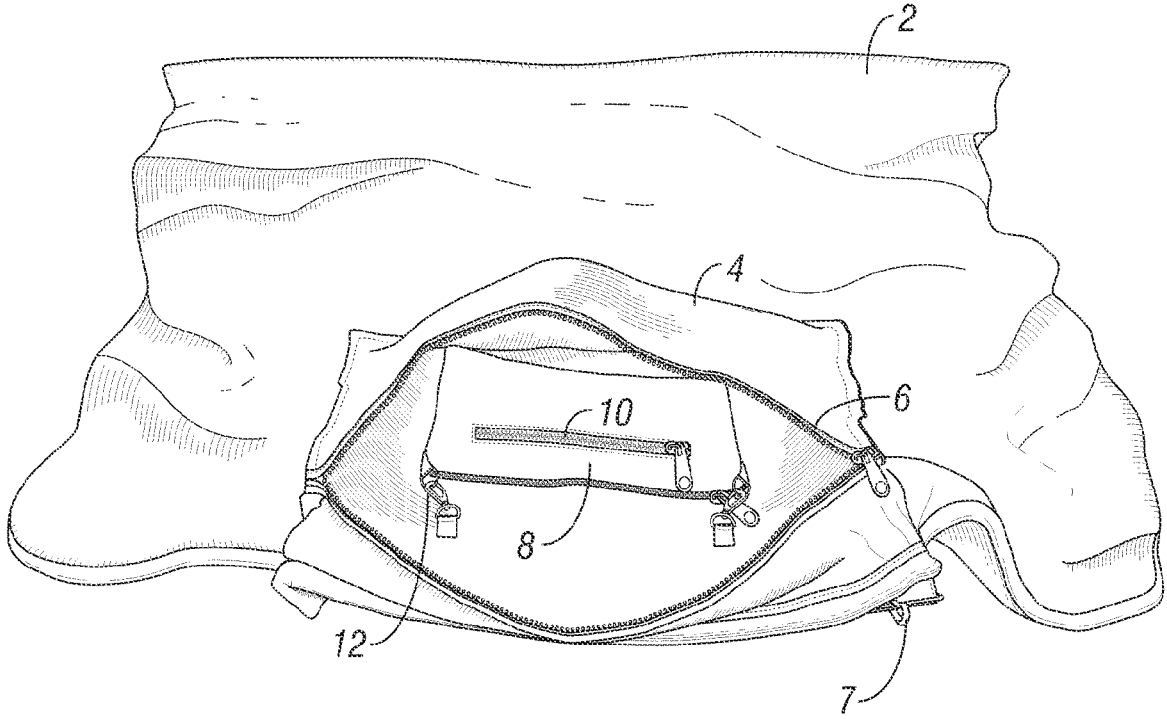


FIG. 2

MULTI-PURPOSE REVERSIBLE TOTE BAG AND BLANKET

CROSS-REFERENCE TO RELATED APPLICATIONS

[0001] The present application claims the benefit of the filing date of U.S. Provisional Patent Application Ser. No. 60/815,008 filed Jun. 21, 2006.

STATEMENT REGARDING FEDERALLY SPONSORED RESEARCH OR DEVELOPMENT

[0002] Not applicable.

BACKGROUND OF THE INVENTION

[0003] 1. Field of Invention

[0004] The present invention relates to the field of tote bags.

[0005] 2. Description of Prior Art

[0006] There are a variety of tote bags on the market adapted for a variety of purposes and with features aimed to serve unique needs. In the realm of tote bags, the consuming public is constantly looking for a product that gives the user maximal comfort, plenty of room for specialized cargo, and compact size. There are many situations where the user of a tote bag can also benefit from an incorporated blanket, or throw. Other inventors have recognized this basic concept, but have not addressed the need in the manner of the present invention. Specifically, U.S. Pat. No. 4,101,994 to Hoyt (1978) discloses a combination beach bag and blanket with rectangular features with a stiffening member; U.S. Pat. No. 2,045,784 to Leve (1935) teaches a rest mat with a portable cushion; U.S. Pat. No. 2,540,165 to Fiel (1946) teaches a combination beach bag and beach mat; U.S. Pat. No. 6,393,638 to MacColl (2002) discloses a combination bag and partially waterproof blanket; and U.S. Pat. No. 6,223,367 to French (2001) discloses a stadium blanket having an attached storage bag.

[0007] While the above referenced patents demonstrate that combined bag and blankets are beneficial, it is also desirable at times to have a tote bag and blanket that will serve multiple purposes. At times it is desirable to have a tote bag with multiple functions, which preferably may include, but are not limited to pillow functions, beverage cooler functions, reversible bags, and pocket(s) on both the interior and/or exterior of the bag so that pockets are available even when the bag is in a reversed blanket mode. Although numerous improvements have been made in the bag industry, none effectively solve the problems addressed by the present invention.

SUMMARY OF THE INVENTION

[0008] Accordingly, it is the objective of the present application to disclose an embodiment of a multi-purpose reversible tote bag and blanket.

[0009] It is a further object of the present application to provide a tote bag and blanket combination that are readily reversible and with a blanket that is disclosed inside the bag until use of the feature is desired, with the blanket being soft and ideally suited for a sitting throw, or changing babies.

[0010] It is a further object of the present application to provide a reversible tote bag and blanket unit featuring at least one pocket on the interior and/or the exterior surfaces of the product.

[0011] It is a further object of the present application to provide a reversible tote bag and blanket unit featuring selectively removable purses or smaller bags featured inside pockets.

[0012] It is a further object of the present application to provide a reversible tote bag and blanket unit featuring pockets adapted to double as beverage and baby formula coolers, featuring waterproof linings that will not allow leaking into other pockets.

[0013] It is still a further object of the present application to provide a reversible tote bag and blanket combination with removable shoulder straps, configuration as a backpack, and multiple pockets, some for carrying PDAs, cell phones, and personal devices.

[0014] Other objectives of the application will become apparent to those skilled in the art once the invention has been shown and described. These objectives are not to be construed as limitations of the invention, but as embodiments that will be appreciated by those skilled in the art.

BRIEF DESCRIPTION OF THE DRAWINGS

[0015] The manner in which these objectives and other desirable characteristics can be obtained is explained in the following description and attached drawings in which:

[0016] FIG. 1 is a side perspective view of the multi-purpose tote bag and blanket combination 1 (hereinafter "tote bag 1").

[0017] FIG. 2 is an perspective view of tote bag 1 in reversed mode so that the blanket 2 of the tote bag 1 is exposed as it would be during use of this feature.

[0018] It is to be noted, however, that the appended drawings illustrate only typical embodiments of this invention and are therefore not to be considered limiting of its scope, for the invention may admit to other equally effective embodiments.

DETAILED DESCRIPTION OF THE INVENTION

[0019] Although specific embodiments of the invention will now be described, it should be understood that these embodiments are examples only and merely illustrate a small number of the many possible specific embodiments that can represent application of the principles of the invention. Various changes and modifications obvious to one skilled in the art, to which the present invention pertains, are deemed to be within the spirit, scope and contemplation of the present invention as further defined in the claims.

[0020] FIG. 1 is a side perspective view of the multi-purpose tote bag and blanket combination. This drawing features tote bag 1 as it would preferably appear in a carrying configuration, with blanket 2 secured inside the tote bag 1 and with all pockets closed. At least one strap 5 is secured to the tote bag 1 at opposite ends of the strap 5 by connectors 7, which are shown as preferable removable fasteners. Connectors 7 are preferably from any variety of fastener that are commonly known in the luggage arts, including but not limited to metal and plastic connectors, clasps, swiveling clasps, clips, hooks, buckles, etc. Connectors 7 are an option because tote bag 1 may also feature either one or a plurality of strap(s) 5 securely and permanently fixed to the tote bag 1, for instance by sewn connections. FIG. 1 further shows bag exterior 3 of tote bag 1, upon which bag exterior 3 are preferably fixed a plurality of

pockets. First exterior pocket **11** is fixed to bag exterior **3** and features a first exterior pocket fastener **13** in the form of a preferable zipper mechanism, although other Velcro® styled mechanisms might also function to close the pocket. A second exterior pocket **15** is preferably fixed to the exterior surface of first exterior pocket **11**, and has a corresponding second exterior pocket fastener **17** depicted in a preferable Velcro® form, although a zipper mechanism might also be used. “Velcro” is used to describe a fastening mechanism featuring a layer a tiny hoops and a corresponding layer of clinging pile. Other fasteners include but are not limited to buckles, zippers, snaps, clasps, magnetic and elastic closures. Further, affixed to the exterior surface of second exterior pocket **15** is a device pocket **19** adapted to receive personal use devices including but not limited to cell phones, mp3 player, PDA, pencils or pens. All or a few of each of the described pockets are preferably featured on one or both sides of tote bag **1**. Tote bag **1** preferably takes the form of a purse with bag exterior **3** comprised of two opposite sides, a view of which is obstructed in FIG. **1**. Tote bag **1** may also preferably feature a circular shape without clearly defined sides, for instance featuring a cinching mechanism to close the bag. FIG. **1** also features a tote bag opening **9**, which is the primary access to the tote bag **1** interior storage area **14**. When the tote bag **1** is in the configuration of FIG. **1**, a blanket **2** is compacted into interior storage area **14**. The user of the tote bag **1** may simply “stuff” the blanket into the tote bag **1** without regard for any particular folding pattern. As further described herein, blanket **2** is integral to tote bag **1** and fixedly connected, and preferably sewn, into interior storage area **14**.

[0021] FIG. **2** is an overhead perspective view of tote bag **1** in reversed mode so that the blanket **2** of the tote bag **1** is exposed as it would be during use of this feature. When the user desires a blanket **2** feature, he or she reaches into the interior storage area **14** and turns the tote bag **1** inside out. Once the tote bag **1** is reversed, the user will note preferable interior pocket **4**, selectively closeable by the user by means of optional interior pocket fastener **6**, preferably closeable by a zipper. Within the space of interior pocket **4** is yet another preferable removable purse **8**, with preferable removable purse fastener **10**, and where the entire removable purse **8** may be unfastened from at least one removable purse connector(s) **12**.

[0022] The preferable construction of tote bag **1** is cloth, with a variety of cloth products known in the apparel industry to be preferable, including but not limited to cotton, cotton-poly blends, polyester, nylon, canvas, natural or synthetic woven textiles, polytetrafluoroethylene and per-fluorocarbon resin products as sold under the Gore Tex® labels. Other desirable construction materials include but are not limited to denim, corduroy, washable suede, leather, suede, fur, and faux fur. The blanket **1** is preferably made from softer fleece-styled products, such as are typically made from polyester. The blanket **2** may optionally feature a waterproof barrier on the blanket side most likely to be placed on the ground.

[0023] Tote bag **1** may optionally feature pockets that double as beverage coolers, so that in addition to a bag and blanket, the user will be able to keep beverages or baby formula at ideal temperatures. Such cooler pockets preferably feature heat/cold barriers and insulation as sold under the Therma-Flect® brands as marketed by California Innovations. Therma-Flect® Insulation is comprised of a rugged,

water and stain resistant outer shell, with a high-density closed cell foam insulation core. Such pockets preferably feature leak proof inner liners, which are preferably made from PVC or EVA materials. While cooler insulation may be built into any of the pockets, it is preferable to have this configuration at interior pocket **4**, so that the cooler feature may be used when the tote bag **1** is in the exposed blanket configuration.

[0024] While certain novel features of this invention have been shown and described, it is not intended to be limited to the details above, since it will be understood that various omissions, modifications, substitutions and changes in the forms and details of the device illustrated and in its operation can be made by those skilled in the art without departing in any way from the spirit of the invention.

I claim:

1. A tote bag comprising:

a selectively openable and closable bag opening;
an interior storage area;
a bag exterior;

an integral blanket fixedly connected into said interior storage area of said tote bag, wherein said blanket may be selectively and compactedly stored within said tote bag, and wherein said blanket is accessed by turning said tote bag inside out;

means for selectively opening and closing said tote bag opening; and,

at least one means for toting said tote bag.

2. The tote bag of claim **1** further comprising:

at least one selectively openable and closable external pocket wherein said external pocket is fixed to and accessible from said bag exterior; and,
means for selectively opening and closing said external pocket.

3. The tote bag of claim **1** further comprising:

at least one selectively openable and closable internal pocket wherein said internal pocket is fixed to and accessible from said interior storage area and wherein said internal pocket is exposed while said tote bag is inside out; and,

means for selectively opening and closing said internal pocket.

4. The tote bag of claim **3** further comprising:

a removably attached and selectively openable and closable small bag housed by said internal pocket;
means for removably attaching said small bag to the inside of said internal pocket; and,
means for selectively opening and closing said detachable small bag.

5. The tote bag of claim **1** further comprising:

at least one selectively openable and closable external pocket wherein said external pocket is fixed to and accessible from said bag exterior;

at least one selectively openable and closable internal pocket wherein said internal pocket is fixed to and accessible from said interior storage area and wherein said internal pocket is exposed while said tote bag is inside out; and,

means for selectively opening and closing said internal and external pockets.

6. The tote bag of claim **5** further comprising:

a removably attached and selectively openable and closable small bag housed by said internal pocket;

- means for removably attaching said small bag to the inside of said internal pocket; and,
 means for selectively opening and closing said detachable small bag.
7. The tote bag of claim 1 further comprising:
 at least one selectively openable and closable external pocket wherein said external pocket is fixed to and accessible from said bag exterior;
 at least one selectively openable and closable internal pocket wherein said internal pocket is fixed to and accessible from said interior storage area and wherein said internal pocket is exposed while said tote bag is inside out;
 means for selectively opening and closing said internal and external pockets;
 a removably attached and selectively openable and closable small bag housed by said internal pocket;
 means for removably attaching said small bag to the inside of said internal pocket; and,
 means for selectively opening and closing said detachable small bag.
8. The tote bag of claim 7 wherein a second selectively openable and closable external pocket is attached to and accessible from the outside of said first external pocket.
9. The tote bag of claim 8 wherein an external device pocket is attached to and accessible from the outside of said second external pocket.
10. The tote bag of claim 1 further comprising:
 More than one selectively openable and closable external pockets attached to and accessible from said bag exterior or the outside of other external pockets; and,
 means for selectively opening and closing said external pockets.
11. The tote bag of claim 3 further comprising:
 More than one selectively openable and closable external pockets attached to and accessible from said bag exterior or the outside of other external pockets; and,
 means for selectively opening and closing said external pockets.
12. The tote bag of claim 4 further comprising:
 More than one selectively openable and closable external pockets attached to and accessible from said bag exterior or the outside of other external pockets; and,
 means for selectively opening and closing said external pockets.
13. The tote bag of claim 12 wherein at least one external pocket is a device pocket.
14. The tote bag of claim 5 further comprising:
 means for preventing liquid transfer to and from the inside of at least one of said internal or external pockets when closed; and,
 means for obstructing heat transfer to and from the inside of at least one of said internal or external pockets when closed.
15. The tote bag of claim 6 further comprising:
 means for preventing liquid transfer to and from the inside of at least one of said internal or external pockets when closed; and,
 means for obstructing heat transfer to and from the inside of at least one of said internal or external pockets when closed.
16. The tote bag of claim 5 further comprising means for obstructing heat transfer to and from the inside of at least one of said internal or external pockets when closed.
17. A tote bag comprising:
 a selectively openable and closable bag opening;
 an interior storage area;
 a bag exterior;
 an integral blanket fixedly connected into said interior storage area of said tote bag, wherein said blanket may be selectively and compactedly stored within said tote bag, and wherein said blanket is accessed by turning said tote bag inside out;
 means for selectively opening and closing said tote bag opening;
 at least one means for toting said tote bag;
 at least one selectively openable and closable external pocket wherein said external pocket is fixed to and accessible from said bag exterior;
 at least one selectively openable and closable internal pocket wherein said internal pocket is fixed to and accessible from said interior storage area and wherein said internal pocket is exposed while said tote bag is inside out;
 means for selectively opening and closing said internal and external pockets;
 a removably attached and selectively openable and closable small bag housed said internal pocket;
 means for removably attaching said small bag to the inside of said internal pocket; and,
 means for selectively opening and closing said detachable small bag.
 means for preventing liquid transfer to and from the inside of said internal and external pockets when closed; and,
 means for obstructing heat transfer to and from the inside of said internal or external pockets when closed.
18. A blanket comprising:
 an integral tote bag having an interior storage area, a bag exterior, a selectively openable and closable bag opening, means for selectively opening and closing said bag opening, and at least one means for toting said tote bag;
 said blanket fixedly connected into said interior storage area;
 wherein said blanket may be selectively and compactedly storable within said tote bag; and,
 wherein said blanket is accessible by turning said tote bag inside out.
19. The blanket of claim 18 wherein said tote bag further comprises:
 at least one selectively openable and closable external pocket wherein said external pocket is fixed to and accessible from said bag exterior;
 at least one selectively openable and closable internal pocket wherein said internal pocket is fixed to and accessible from said interior storage area and wherein said internal pocket is exposed while said tote bag is inside out; and,
 means for selectively opening and closing said internal and external pockets.
20. The blanket of claim 19 wherein said tote bag further comprises:
 means for preventing liquid transfer to and from the inside of said internal and external pockets when closed; and,
 means for obstructing heat transfer to and from the inside of said internal or external pockets when closed.